

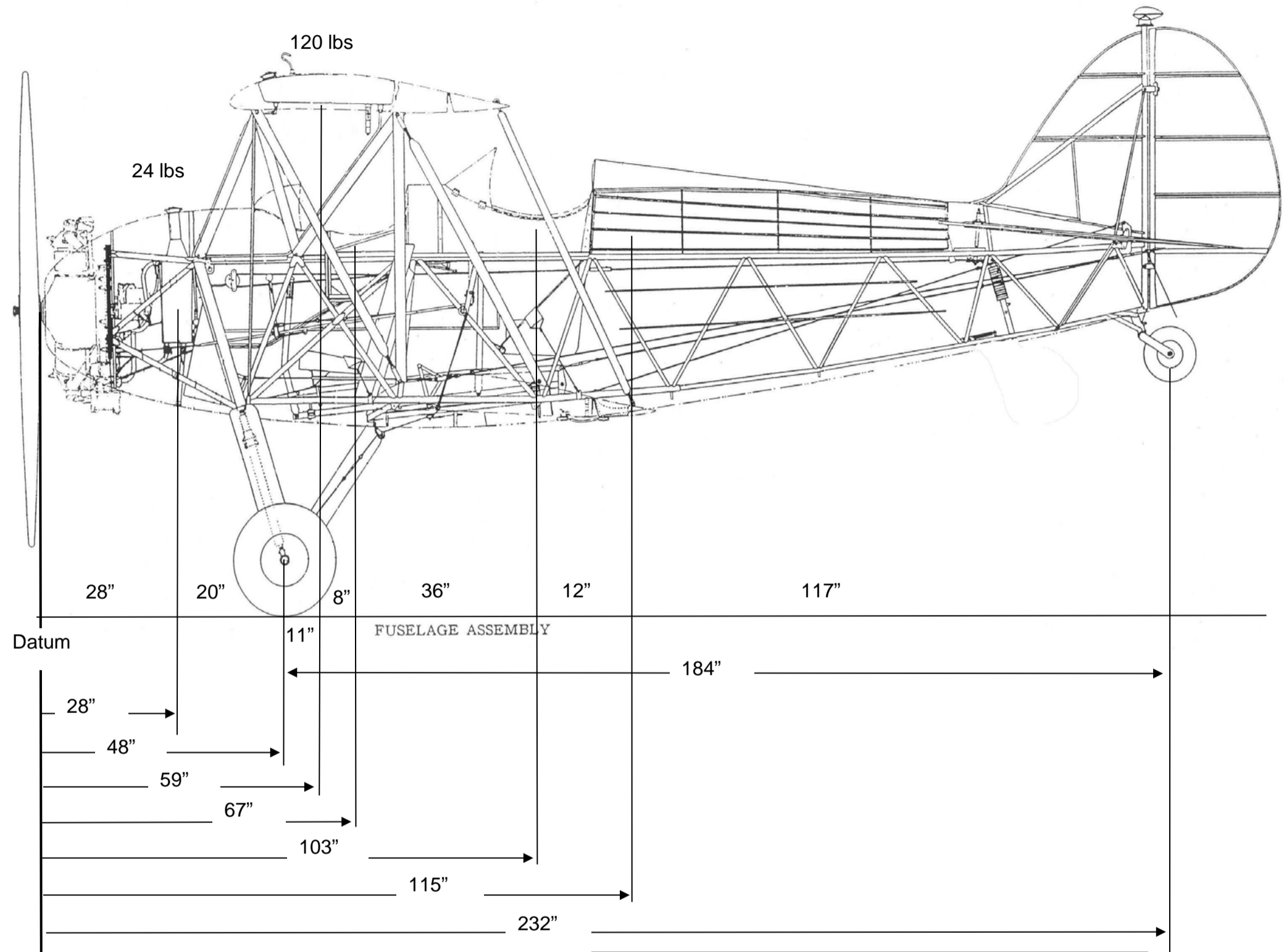
Initial Weighing

| Item | Weight | Adjusted Weight | Distance from Datum | Moment |
|--------------------------|---------------|-----------------|---------------------|--------------|
| Oil | 22.5 | 0.0 | 28 | 0 |
| Left Wheel | 646.0 | 646.0 | 48 | 31008 |
| Right Wheel | 654.0 | 654.0 | 48 | 31392 |
| Gas | 120.0 | 0.0 | 59 | 0 |
| Tail Wheel | 80.0 | 80.0 | 232 | 18560 |
| Weight as Weighed | 1522.5 | 1380.0 | | 80960 |
| CG as Weighed | | | 58.67 | |

Empty

(0 Pilot, 0 Passenger, 0 Baggage, 0 Fuel, 0 Oil)

| Item | Actual Weight | Adjusted Weight | Moment Arm | Moment |
|-----------------------------|---------------|-----------------|--------------|-----------|
| Oil | 0.00 | (22.50) | 28 | (630.00) |
| Left Wheel | 646.00 | 646.00 | 48 | 31008.00 |
| Right Wheel | 654.00 | 654.00 | 48 | 31392.00 |
| Gas | 0.00 | (120.00) | 59 | (7080.00) |
| Front Passenger | 0.00 | 0.00 | 67 | 0.00 |
| Pilot | 0.00 | 0.00 | 103 | 0.00 |
| Baggage | 0.00 | 0.00 | 115 | 0.00 |
| Tail Wheel | 80.00 | 80.00 | 232 | 18560.00 |
| Total Moment | | | | 73250 |
| Empty Weight | | 1237.50 | | |
| CG when Empty | | | 59.19 | |
| 2014-12-04 Added Battery | 16 | | 33 | |
| 2014-12-04 New Empty Weight | | 1253.50 | | 528 |
| 2014-12-04 New Empty CG | | | 58.86 | 73778 |
| Removed 2 Batteries | (32.0) | | 33 | -1056 |
| Added new battery | 23 | | 33 | 759 |
| 2015-09-06 New Empty Weight | | 1244.50 | | |
| 2015-09-06 New Empty CG | | | 59.04 | 73481 |



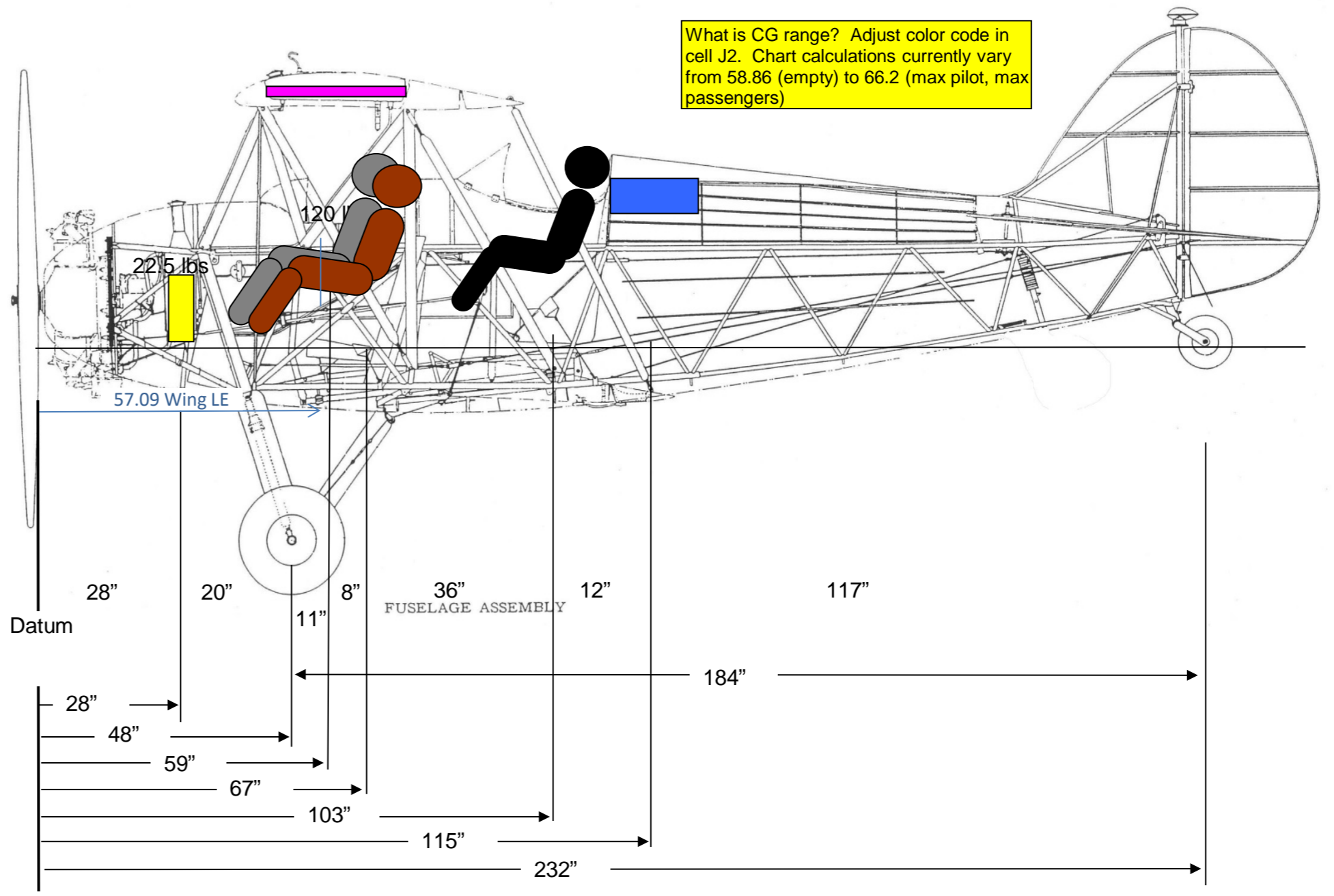
| Pilot | | Passenger | | Gas (6 Lbs / Gallon) 32 Gallons Max | | Oil (7.5 Lbs / Gallon) 3 Gallons Max | | Baggage | | Gross |
|-------|-----|-----------|-----|---|-----|--|-----|---------|-----|-------|
| Max | Min | Max | Min | Max | Min | Max | Min | Max | Min | |
| 250 | 150 | 100 | 350 | 192 | 12 | 22.5 | 9 | 20 | 0 | 1938 |

| | Oil (Qts) | Gas (Gal) | Pilot Lbs | Passenger #1 (Lbs) | Passenger #2 (Lbs) | Passenger Total | Baggage (Lbs) | Total Moment | Center of Gravity | Gross Weight |
|----------|-----------|-----------|-----------|--------------------|--------------------|-----------------|---------------|--------------|-------------------|--------------|
| Quantity | 12 | 32 | 190 | 0 | 0 | 0 | 10 | | 64.0 | 1659 |
| Weight | 22.5 | 192.0 | 190.0 | 0 | 0 | 0 | 10 | | | 1659 |
| Moment | 630.0 | 11328.0 | 19570.0 | 0.0 | 0.0 | 0.0 | 1150.0 | 106159.0 | | |

| Item | Moment Arm |
|------------|------------|
| Oil | 28 |
| Gas | 59 |
| Passengers | 67.0 |
| Pilot | 103 |
| Baggage | 115 |

| Item | Weight | Moment Arm | Moment |
|-----------------------|--------|------------|--------|
| Empty Weight | 1244.5 | | |
| Empty Moment | | | 73481 |
| Empty Moment Arm (CG) | | 59.04 | |

48.23
55.07



| Pilot | | Passenger | | Gas | | Oil | | Baggage | | Gross |
|-------|-----|-----------|-----|-----|-----|------|-----|---------|-----|-------|
| Max | Min | Max | Min | Max | Min | Max | Min | Max | Min | |
| 250 | 150 | 350 | 0 | 192 | 2 | 22.5 | 9 | 15 | 0 | 1938 |

Password = "Waco" 7.5

**0 Lb Pilot
(Check Sheet)**

| Empty (0 Pilot, 0 Passenger, 0 lb Baggage, 0 Fuel, 0 qt Oil) | | | | | Center of Gravity | | | | | | | | | | | |
|---|-------------|--------|------------|--------|-------------------|----------------|--------------|---------|---------|---------|---------|---------|---------|---------|---------|--|
| Item | Amount | Weight | Moment Arm | Moment | Passengers Weight | Gallons Weight | Gas | | | | | | | | | |
| | | | | 0 | | | 4 | 8 | 12 | 16 | 20 | 24 | 28 | 32 | | |
| Empty Weight | | 1244.5 | | | | | 0 | 4 | 8 | 12 | 16 | 20 | 24 | 28 | 32 | |
| Empty Moment | | | | 73481 | | | 0 | 24 | 48 | 72 | 96 | 120 | 144 | 168 | 192 | |
| Empty Moment Arm (CG) | | | 59.04 | | | | 58.5 | 58.5 | 58.5 | 58.5 | 58.5 | 58.5 | 58.5 | 58.6 | 58.6 | |
| | | | | | | | 58.8 | 58.8 | 58.8 | 58.8 | 58.8 | 58.8 | 58.8 | 58.8 | 58.8 | |
| | | | | | | | 59.0 | 59.0 | 59.0 | 59.0 | 59.0 | 59.0 | 59.0 | 59.0 | 59.0 | |
| Passenger (Combined) | (See Chart) | | 67 | | | | 59.1 | 59.1 | 59.1 | 59.1 | 59.1 | 59.1 | 59.1 | 59.1 | 59.1 | |
| Pilot | 0 | 0 | 103 | | | | 59.3 | 59.3 | 59.2 | 59.2 | 59.2 | 59.2 | 59.2 | 59.2 | 59.2 | |
| Oil | 12.00 | 22.5 | 28 | | | | 59.4 | 59.4 | 59.4 | 59.4 | 59.4 | 59.4 | 59.4 | 59.4 | 59.3 | |
| Fuel | (See Chart) | | 59 | | | | 59.5 | 59.5 | 59.5 | 59.5 | 59.5 | 59.5 | 59.5 | 59.5 | 59.5 | |
| Baggage | | 0.0 | 115 | | | | 59.7 | 59.6 | 59.6 | 59.6 | 59.6 | 59.6 | 59.6 | 59.6 | 59.6 | |
| | | | | | | | 59.8 | 59.8 | 59.8 | 59.7 | 59.7 | 59.7 | 59.7 | 59.7 | 59.7 | |
| | | | | | | | 59.9 | 59.9 | 59.9 | 59.9 | 59.8 | 59.8 | 59.8 | 59.8 | 59.8 | |
| | | | | | | | 60.0 | 60.0 | 60.0 | 60.0 | 60.0 | 59.9 | 59.9 | 59.9 | 59.9 | |
| | | | | | | | 60.1 | 60.1 | 60.1 | 60.1 | 60.1 | 60.0 | 60.0 | 60.0 | 60.0 | |
| | | | | | | | 60.2 | 60.2 | 60.2 | 60.2 | 60.2 | 60.1 | 60.1 | 60.1 | 60.1 | |
| | | | | | | | 60.3 | 60.3 | 60.3 | 60.3 | 60.3 | 60.2 | 60.2 | 60.2 | 60.2 | |
| | | | | | | | Gross Weight | | | | | | | | | |
| | | | | | | | Gas | | | | | | | | | |
| | | | | | | | 0 | 4 | 8 | 12 | 16 | 20 | 24 | 28 | 32 | |
| | | | | | | | 0 | 24 | 48 | 72 | 96 | 120 | 144 | 168 | 192 | |
| | | | | | | | 1267.00 | 1291.00 | 1315.00 | 1339.00 | 1363.00 | 1387.00 | 1411.00 | 1435.00 | 1459.00 | |
| | | | | | | | 1317.00 | 1341.00 | 1365.00 | 1389.00 | 1413.00 | 1437.00 | 1461.00 | 1485.00 | 1509.00 | |
| | | | | | | | 1342.00 | 1366.00 | 1390.00 | 1414.00 | 1438.00 | 1462.00 | 1486.00 | 1510.00 | 1534.00 | |
| | | | | | | | 1367.00 | 1391.00 | 1415.00 | 1439.00 | 1463.00 | 1487.00 | 1511.00 | 1535.00 | 1559.00 | |
| | | | | | | | 1392.00 | 1416.00 | 1440.00 | 1464.00 | 1488.00 | 1512.00 | 1536.00 | 1560.00 | 1584.00 | |
| | | | | | | | 1417.00 | 1441.00 | 1465.00 | 1489.00 | 1513.00 | 1537.00 | 1561.00 | 1585.00 | 1609.00 | |
| | | | | | | | 1442.00 | 1466.00 | 1490.00 | 1514.00 | 1538.00 | 1562.00 | 1586.00 | 1610.00 | 1634.00 | |
| | | | | | | | 1467.00 | 1491.00 | 1515.00 | 1539.00 | 1563.00 | 1587.00 | 1611.00 | 1635.00 | 1659.00 | |
| | | | | | | | 1492.00 | 1516.00 | 1540.00 | 1564.00 | 1588.00 | 1612.00 | 1636.00 | 1660.00 | 1684.00 | |
| | | | | | | | 1517.00 | 1541.00 | 1565.00 | 1589.00 | 1613.00 | 1637.00 | 1661.00 | 1685.00 | 1709.00 | |
| | | | | | | | 1542.00 | 1566.00 | 1590.00 | 1614.00 | 1638.00 | 1662.00 | 1686.00 | 1710.00 | 1734.00 | |
| | | | | | | | 1567.00 | 1591.00 | 1615.00 | 1639.00 | 1663.00 | 1687.00 | 1711.00 | 1735.00 | 1759.00 | |
| | | | | | | | 1592.00 | 1616.00 | 1640.00 | 1664.00 | 1688.00 | 1712.00 | 1736.00 | 1760.00 | 1784.00 | |
| | | | | | | | 1617.00 | 1641.00 | 1665.00 | 1689.00 | 1713.00 | 1737.00 | 1761.00 | 1785.00 | 1809.00 | |

